

DZR Brass Gate Valves

A range of reliable DZR Brass Gate Valves that enable water to be shut off from fixtures and appliances quickly and easily.

Overview

Reliance Valves DZR Brass Gate Valves are used in water applications to allow fixtures, appliances or areas of a building to be isolated without the need for draining the whole system.

The valve is available in handwheel and lockshield versions.

Features & Benefits

- DZR brass gate valve for increased strength and durability, suitable for installations in corrosive environments
- Non-rising, blow-out proof stem
- Full bore for reduced resistance to flow
- Self colour DZR brass body to limit nickel leaching and minimise water contamination
- FBSP (ISO 7-1) version for use with threaded pipe. Can be used with other piping systems (threaded adapters to be provided by the piping system manufacturer)



Product Code	Model	Size	Connection
GATE112001	Handwheel	DN15	FBSP
GATE112002	Handwheel	DN20	FBSP
GATE112003	Handwheel	DN25	FBSP
GATE112004	Handwheel	DN32	FBSP
GATE112005	Handwheel	DN40	FBSP
GATE112006	Handwheel	DN50	FBSP
GATE112020	Lockshield	DN15	FBSP
GATE112021	Lockshield	DN20	FBSP
GATE112022	Lockshield	DN25	FBSP
GATE112023	Lockshield	DN32	FBSP
GATE112024	Lockshield	DN40	FBSP
GATE112025	Lockshield	DN50	FBSP



DZR Brass Gate Valves

Working parameters

Maximum Pressure / Temperature:
 Maximum working pressure: 16 bar
 Maximum working temperature: 110°C
 Minimum working temperature: 0°C
 Working range: 16 bar / 0°C to 110°C

Application

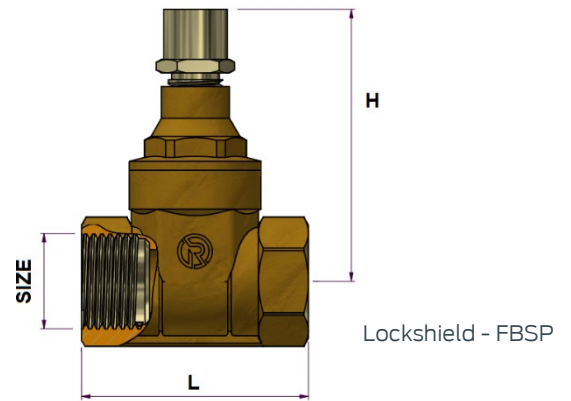
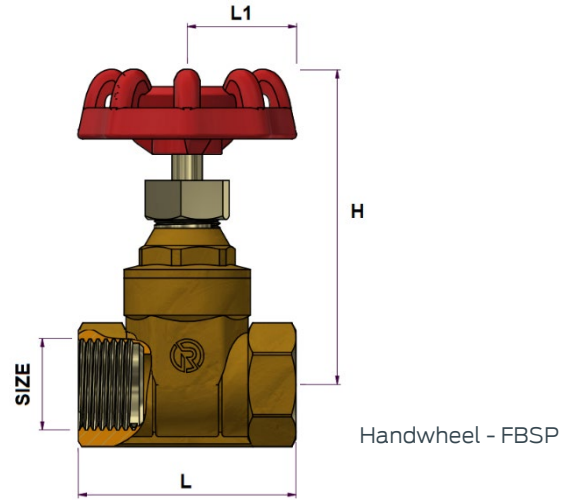
Heating
 Chilled Water
 Domestic Hot and Cold Water
 Not suitable for Gas

Materials

Body: DZR Brass
 Gate: DZR Brass
 Stem: DZR Brass
 Seal: PTFE
 Handwheel: Cast Iron
 Lockshield: Brass

Standards & Approvals

WRAS Approved
 Exempt from CE marking



Product Code	Model	Size	L	L1	H	Connection	Kv	Weight (g)
GATE112001	Handwheel	DN15	50	27	115	FBSP	11	235
GATE112002	Handwheel	DN20	53	27	125	FBSP	34	300
GATE112003	Handwheel	DN25	64	27	140	FBSP	46	400
GATE112004	Handwheel	DN32	74	29	165	FBSP	60	590
GATE112005	Handwheel	DN40	81	29	185	FBSP	105	810
GATE112006	Handwheel	DN50	91	36	220	FBSP	170	1255
GATE112020	Lockshield	DN15	50	-	80	FBSP	11	185
GATE112021	Lockshield	DN20	53	-	95	FBSP	34	250
GATE112022	Lockshield	DN25	64	-	105	FBSP	46	300
GATE112023	Lockshield	DN32	74	-	125	FBSP	60	550
GATE112024	Lockshield	DN40	81	-	145	FBSP	105	780
GATE112025	Lockshield	DN50	91	-	175	FBSP	170	1280

All dimensions in mm unless otherwise stated
 Kv is the headloss across the complete valve in the fully open position