

Nickel Plated Lever Ball Valves for Water

A range of reliable lever ball valves that enable water to be shut off from fixtures and appliances quickly and easily.

Overview

Our quarter turn ball valves are used in water applications to allow appliances or sections of plumbing within a building to be switched off, without the need for draining the whole system. The brass ball valve reduces and stops water flow, creating an isolation after the valve position. Reliance quarter turn ball valve fittings are available with a blue or red handle to help distinguish usage (generally hot and cold) and are EN331 compliant.

Typically, brass ball valves can be found at appliance outlets, such as washing machines and dishwashers to allow water supply to be cut off for installation and maintenance. We also offer in line washing machine valves with smaller handles which can be used in limited space areas.

Quarter Turn Ball Valves can also be used under kitchen or bathroom sinks to allow users to control tap water flow. Used in place of a standard service or isolation valve, a quarter turn valve can provide a more robust, easy to use shut off option for temporarily stopping water supply. Due to the large handle, these valves are also recommended for use in specialist situations where the smaller screw type ball valves may not be suitable.

The quarter turn ball valve is also available with Speedfit connections, for fast, secure and tool-free installation.

Features & Benefits

- Nickel plated brass
- Interchangeable red and blue lever indicators for hot and cold water (JG Speedfit version only)
- Available with a variety of sizes and connection ends
- Reliable water shut off valve with easy to operate lever handle
- Fast and simple to install
- Isolates water to fixture or appliance making maintenance quicker and easier
- 5 year guarantee for extra peace of mind

Product code	Description	Size
BVAL400060	Ball Valve with Blue Handle	15mm PN25 compression
BVAL400070	Ball Valve with Blue Handle	22mm PN25 compression
BVAL400080	Ball Valve with Blue Handle	28mm PN25 compression
BVAL400090	Ball Valve with Blue Handle	35mm PN25 compression
BVAL400100	Ball Valve with Blue Handle	42mm PN25 compression
BVAL400110	Ball Valve with Blue Handle	54mm PN25 compression
BVAL400061	Ball Valve with Red Handle	15mm PN25 compression
BVAL400071	Ball Valve with Red Handle	22mm PN25 compression
BVAL400081	Ball Valve with Red Handle	28 mm PN25 compression
BVAL400091	Ball Valve with Red Handle	35mm PN25 compression
BVAL400101	Ball Valve with Red Handle	42mm PN25 compression
BVAL400111	Ball Valve with Red Handle	15mm PN25 compression
BVAL400200	Ball Valve with Blue/Red Handle	15mm PN10 push-fit*
BVAL400210	Ball Valve with Blue/Red Handle	22mm PN10 push-fit*

*If using PEX pipe, a JG Speedfit Superseal Insert must be used to maintain the roundness of the pipe and to add extra strength to the joint.

BVAL400060



BVAL400061



BVAL400210



Nickel Plated Lever Ball Valves for Water

Working parameters & specifications (MBSP and compression connection ends)

Max pressure / temperature 25.0 bar / 85°C

This product is not suitable for chilled water applications due to the risk of stress corrosion cracking (SCC)

Working parameters & specifications (Push-fit connection ends)

Max pressure / temperature 6.0 bar / 95°C 10.0 bar / 70°C

This product is not suitable for chilled water applications due to the risk of stress corrosion cracking (SCC)

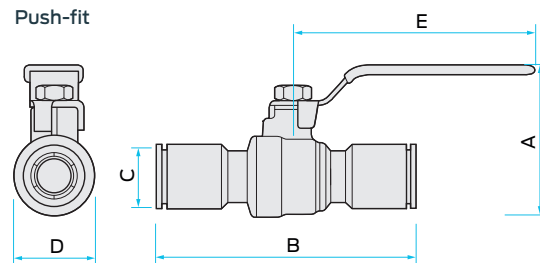
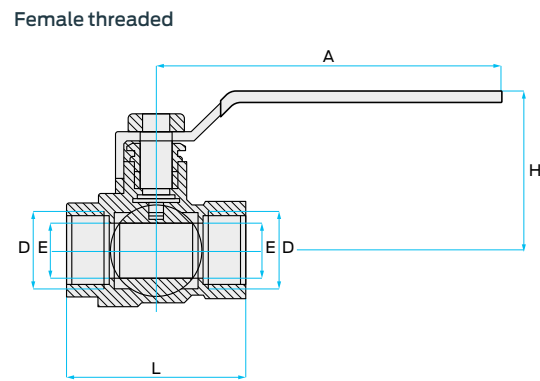
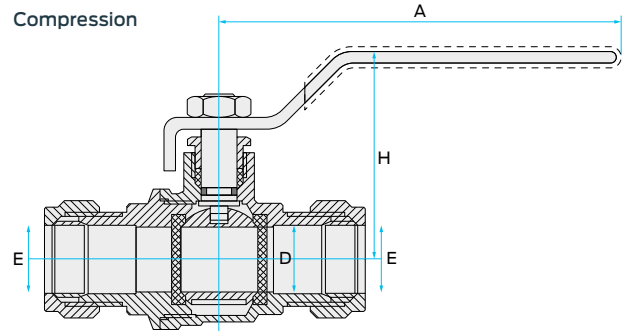
Applications

Domestic Hot & Cold Water	✓
Central Heating Systems	✓

Materials

Body	Nickel plated brass
Ball	Chrome plated brass
Stem	Brass
Seals	EPDM
Lever	Zinc plated steel/PVC sleeve
Seats	PTFE

Dimensions – All measurements in mm unless otherwise stated



Size (Compression)	A	D	E	L	H
15mm	88	14.5	15	70.5	47
22mm	100	19	22	82	52
28mm	125	24.5	28	91	65
35mm	142	31.5	35	108	78
42mm	142	40	42	123	88
54mm	165	50	54	144	96

Size (Push-fit)	A	B	C	D
15mm	55	87	25	28
22mm	60	104	30	37