

# Thermal Balancing Valve

**Safely and reliably balances a secondary hot water supply in commercial applications**

Reliance Valves Thermal Balancing Valve is designed for use in circulating hot water systems. The valve regulates the flow of water depending on the temperature. Once the water temperature rises to its set point at 70°C, the thermal balancing valve restricts the flow. A bypass opens following a higher flow rate for disinfection purposes to protect against Legionella.

The valve provides thermal balance in hot water systems to ensure a constant temperature and to limit the flow in circulation pipes to the minimum required level. The thermal balancing valve is installed at the hot water return point within a toilet or washroom. It's dry-fit thermometer means that the system does not need to be drained down and tamperproof cap secures settings in place.

Also available with SharkBite push-fit connections.

TREG100060 with insulation casing



TREG100060 without insulation casing



Product code	Size	Description
TREG100060	1/2" 1/2" FBSP	Thermal Balancing Valve
TREG100065	3/4" 3/4" FBSP	Thermal Balancing Valve
SBTREG100060	1/2" 1/2" FBSP	Thermal Balancing Valve
SBTREG100065	3/4" 3/4" FBSP	Thermal Balancing Valve

## Specification Text

The Thermostatic Balancing Valve (TBV) must be WRAS approved, automatically operated, with adjustable temperature settings from 40 – 65 Degrees Celsius and include an integral disinfection function. Designed to give continuous flow even when the set temperature is achieved and be able to be installed in any orientation. The product must be supplied with an insulation jacket, identification tag and have a removable thermometer that sits within a dry pocket. Viton seals must be used.



# Thermal Balancing Valve

## Features and benefits

- Easy temperature adjustment between 40-65°C and tamper-proof cap
- Built-in disinfection function to protect against legionella
- Dry-fit thermometer - no need to drain
- Pre-insulated, saving time and cost

## Specifications

Temperature set range	40-65°C
Factory pre-set temperature	58°C
Temp. range for thermal disinfection	>70°C
Maximum working pressure	10.0 bar
Accuracy	+/- 2°C

## Materials

Body	DZR Brass
Seals	Viton
Spring	Stainless Steel
Insulation	Polyethylene

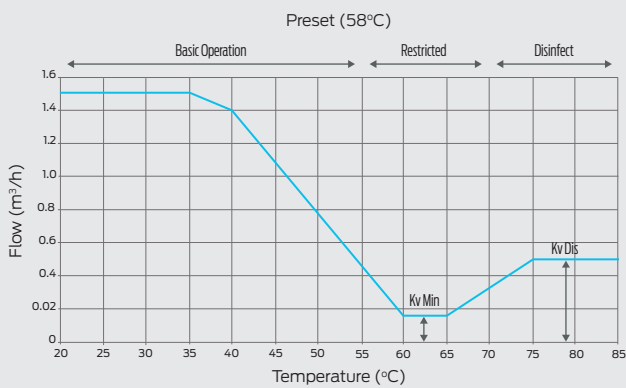
## Spares

Spare dry-fit push in thermometer	GAGE100060
Service kit	SKIT100060
Spare insulation case	½" INSU100060
Spare insulation case	¾" INSU100065

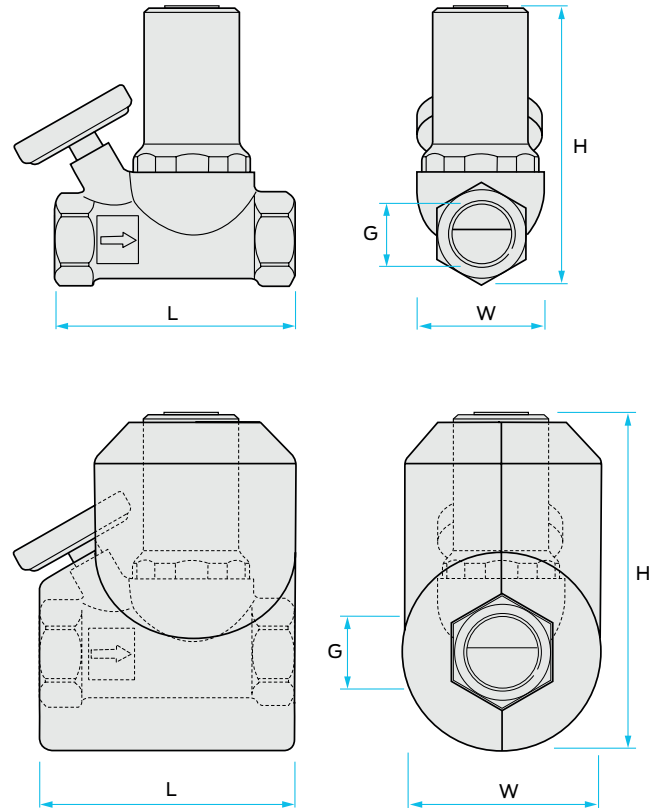
## Standards and approvals

WRAS Approved

## Flow rates



## Dimensions – All measurements in mm unless otherwise stated



Product code	L	W	H	G
TREG100060	75	36	86	½"
with insulation	87	48	98	½"
TREG100065	80	36	90	¾"
with insulation	92	48	102	¾"