

TPR28 & FVMX

Pressure & Temperature Relief Valves

Discharges water to prevent cylinder damage from excess high temperature or pressure

Reliance Valves TPR 28 & FVMX Pressure & Temperature Relief Valves are high-capacity pressure and temperature relief valves suitable for domestic and larger commercial applications. The valve protects against over pressurisation or extreme temperatures over 95°C, which can occur within an unvented hot water system if the input temperature or pressure controls fail.

The valves are designed to be installed directly to the upper portions of a hot water cylinder, as this is where the hottest temperature is found. If the valve is opened, it will lift off its seat and release the water to the waste, reducing the pressure or temperature within the cylinder.



Product code	Size	Description
TPR28		
PTEM100050	1" MBSP x 28mm	7.0 bar
FVMX		
PTEM600001	¾" MBSP x ¾" FBSP	7.0 bar
PTEM600002	1" MBSP x 1" FBSP	7.0 bar
PTEM600003	1¼" MBSP x 1" FBSP	7.0 bar
PTEM600004	1½" MBSP x 1½" FBSP	7.0 bar
PTEM600005	2" MBSP x 2" FBSP	7.0 bar

TPR28 & FVMX Pressure & Temperature Relief Valves

Features and benefits

- Offer high capacity protection for domestic and commercial applications
- Protect against temperatures rising above 95°C
- Prevent over pressurisation
- Lever style easing mechanism
- Range of different connection sizes

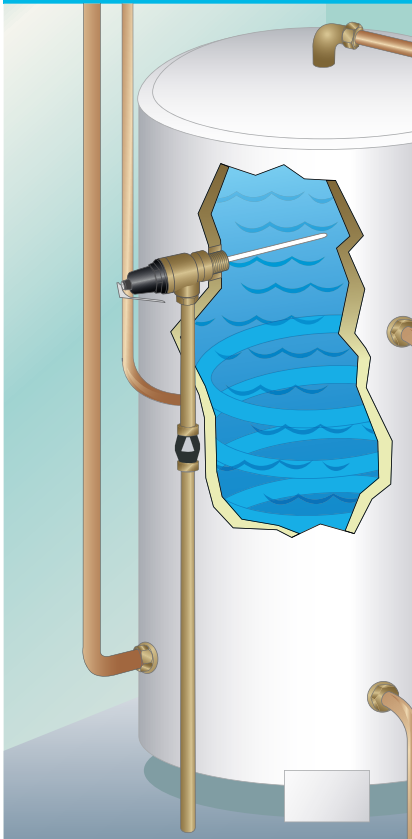
Specifications

Pre-set pressure	7.0 bar
Maximum temperature	90-95°C
KW Rating	TPR28: 50kW
	FVMX ¾": 25kW
	FVMX 1": 50kW
	FVMX 1¼": 80kW
	FVMX 1½": 173kW
FVMX 2": 184kW	
Maximum ambient temperature	100°C

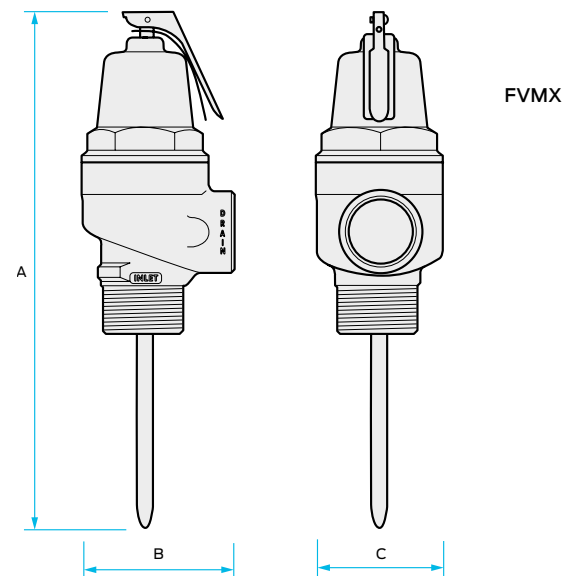
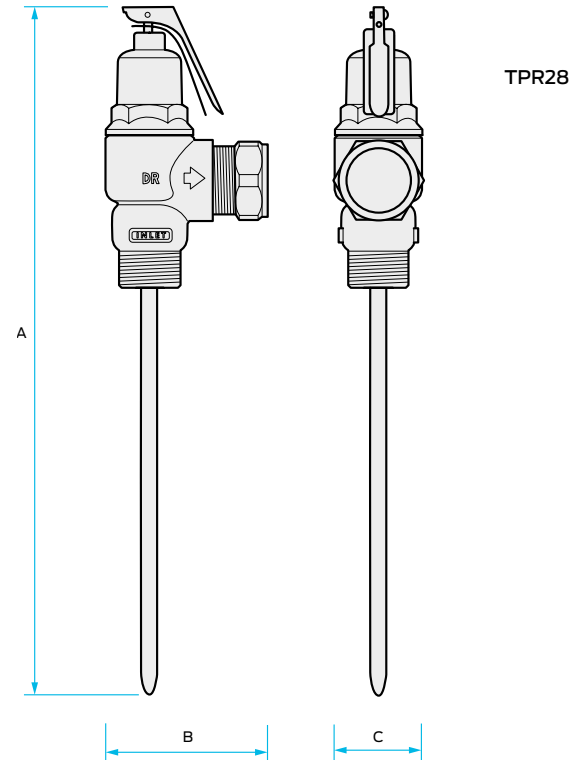
Standards and approvals

- BS EN 1490
- WRAS Approved

Typical installation



Dimensions – All measurements in mm unless otherwise stated



Product code	A	B	C
TPR28			
PTEM100050	345	85	50
FVMX			
PTEM600001	260	62	45
PTEM600002	260	59	45
PTEM600003	260	77	64
PTEM600004	295	100	79
PTEM600005	295	103	79