

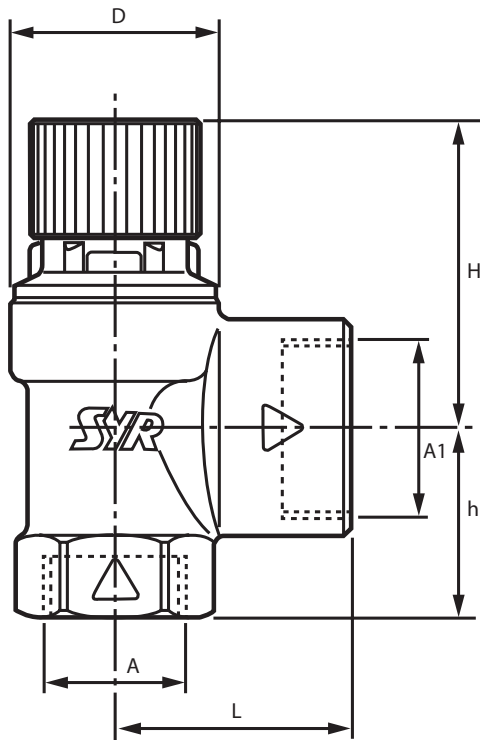
Materials

Body	DZR brass
Cap	Brass CZ121 nickel plated
Bod 1 " 2"	Gun metal
Diaphragm	EDPM
Seal	EDPM
Spring	Stainless steel
Cap	High grade glass fibre reinforced plastic

Specifications

Body test pressure	20.0 bar
Maximum temperature	140 C max
Pre-set pressure range	3.5 - 8.0 bar

Dimensions



A	A1	H	h	L	D
		46	28	35	31
	1	48	34	38	31
1	1	79	40	47	49
1	1	110	46	53	51
1	2	136	55	70	75
2	2	195	66	75	75

Discharge rating

Pressure setting (bar)	Discharge Rating (m3/h)					
Inlet size	1	1	1	2		
4.0	2.8	3.0	9.5	14.3	19.2	27.7
4.5	3.0	3.2	10.1	15.1	20.4	29.3
5.0	3.1	3.4	10.6	16.1	21.5	30.9
5.5	3.3	3.6	11.1	16.1	22.5	32.4
6.0	3.4	3.7	11.6	17.5	24.2	34.9
7.0	3.7	4.0	12.6	18.9	26.5	38.9
8.0	4.0	4.3	13.4	20.2	28.6	42.7
9.0	4.2	4.6	14.3	21.4	30.5	45.3
10.0	4.4	4.8	15.0	22.6	32.6	48.7

