

312 Compact Pressure Reducing Valve

A range of reliable pressure reducing valves that control and regulate water pressure in potable water systems to reduce the risk of burst pipes, flooding and damage

Overview

The 312 Compact Pressure Reducing Valve (PRVs) controls the system water pressure to protect against damage to taps, showers, dishwashers etc, that can be caused by excessively high pressure. Specifically designed for installation in small spaces, all the working components are contained within a single-piece cartridge, which can be quickly and easily removed and replaced if necessary. The downstream test ports on either side of the valve are used to accurately set the outlet pressure of the valve between 1.5 and 6 bar.

The range is available with a variety of connections including FBSP, MBSP union and compression, as well as our latest push-fit variation. Incorporating JG Speedfit, the new range can be fitted and dismantled without tools, making the valve even easier and faster to install, service or replace.

Features & Benefits

- Drop tight valve that controls the pressure under flow and no-flow conditions
- Single-piece, replaceable cartridge containing all working parts
- Fully serviceable integral strainer to protect the seat of the valve
- Available in a variety of connection ends
- Gauge ports located on either side of valve base
- Reliable water pressure control
- Fast and simple to install, service and replace
- Install in any orientation for ultimate flexibility
- 5-year guarantee for extra peace of mind

Cold water up to 45 °C

Product code	Description	Size
PRED312020	312 Compact PRV	1/2" FBSP
PRED312025	312 Compact PRV	3/4" FBSP
PRED312001	312 Compact PRV	1/2" MBSP union
PRED312005	312 Compact PRV	3/4" MBSP union
PRED312010	312 Compact PRV	15mm compression
PRED312015	312 Compact PRV	22mm compression
PRED312100	312 Compact PRV	15mm push-fit*
PRED312110	312 Compact PRV	22mm push-fit*

*25°C maximum

If using PEX pipe, a JG Speedfit Superseal Insert must be used to maintain the roundness of the pipe and to add extra strength to the joint.

Hot water up to 70 °C

Product code	Description	Size
PRED312070	312 Compact PRV	1/2" FBSP
PRED312075	312 Compact PRV	3/4" FBSP
PRED312050	312 Compact PRV	1/2" MBSP union
PRED312055	312 Compact PRV	3/4" MBSP union
PRED312060	312 Compact PRV	15mm compression
PRED312065	312 Compact PRV	22mm compression

PRED312020 (FBSP)



PRED312025 (Compression)



PRED312050 (MBSP)



PRED312100 (Push-fit)



312 Compact Pressure Reducing Valve

Working parameters & specifications (FBSP, MBSP, and compression connection ends)

Maximum working pressure	16.0 bar
Adjustable set pressure	1.5-6.0 bar
Pressure reduction ratio	10:1
Maximum working temperature (cold water version)	45°C
Maximum working temperature (Hot water version)	70°C

Working parameters & specifications (Push-fit connection ends)

Maximum working pressure	16.0 bar
Adjustable set pressure	1.5-5.5 bar
Pressure reduction ratio	10:1
Maximum working temperature (cold water version)	25°C

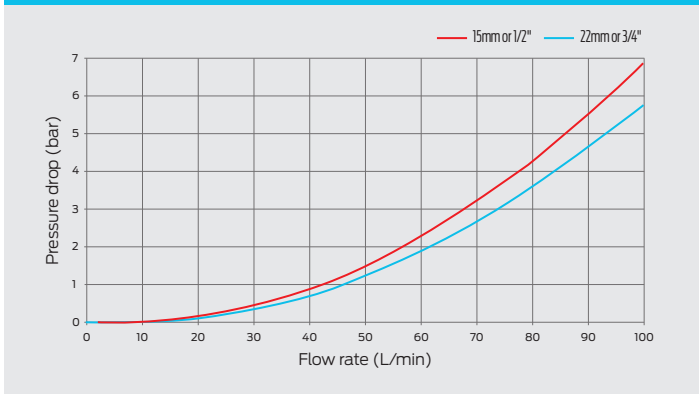
Applications

Domestic Hot & Cold Water	✓
---------------------------	---

Materials

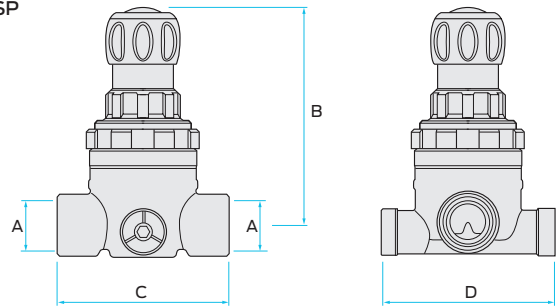
Body	DZR brass
Internal components	DZR brass
Seals	EPDM
Spring	Zinc plated spring steel
Strainer	Stainless steel
Diaphragm	EPDM
Cover	Glass filled nylon polymer

Flow rates

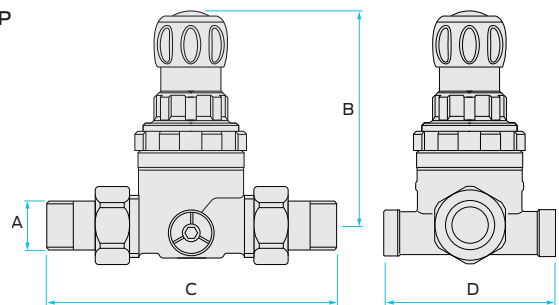


Dimensions – All measurements in mm unless otherwise stated

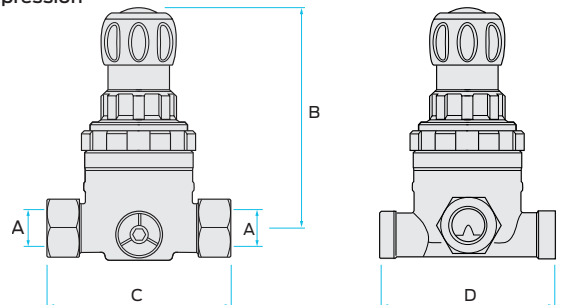
FBSP



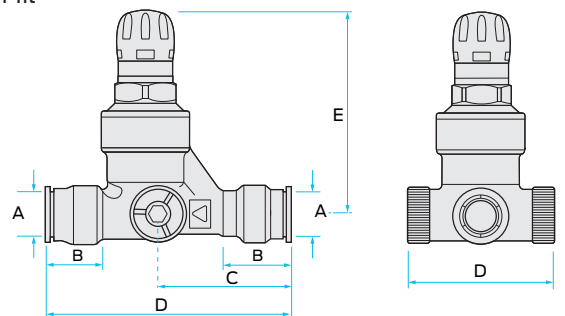
MBSP



Compression



Push-fit



Product code	A	B	C	D
PRED312020 / PRED312070	1/2" FBSP	92	72	74
PRED312025 / PRED312075	3/4" FBSP	92	76	74
PRED312001 / PRED312050	1/2" MBSP union	93	125	75
PRED312005 / PRED312055	3/4" MBSP union	93	134	75
PRED312010 / PRED312060	15mm comp	93	134	75
PRED312015 / PRED312065	22mm comp	92	62	74

Product code (Push-fit)	A	B	C	D	E
PRED312100	15	28	63	104	94
PRED312110	22	32.8	63.5	110	94